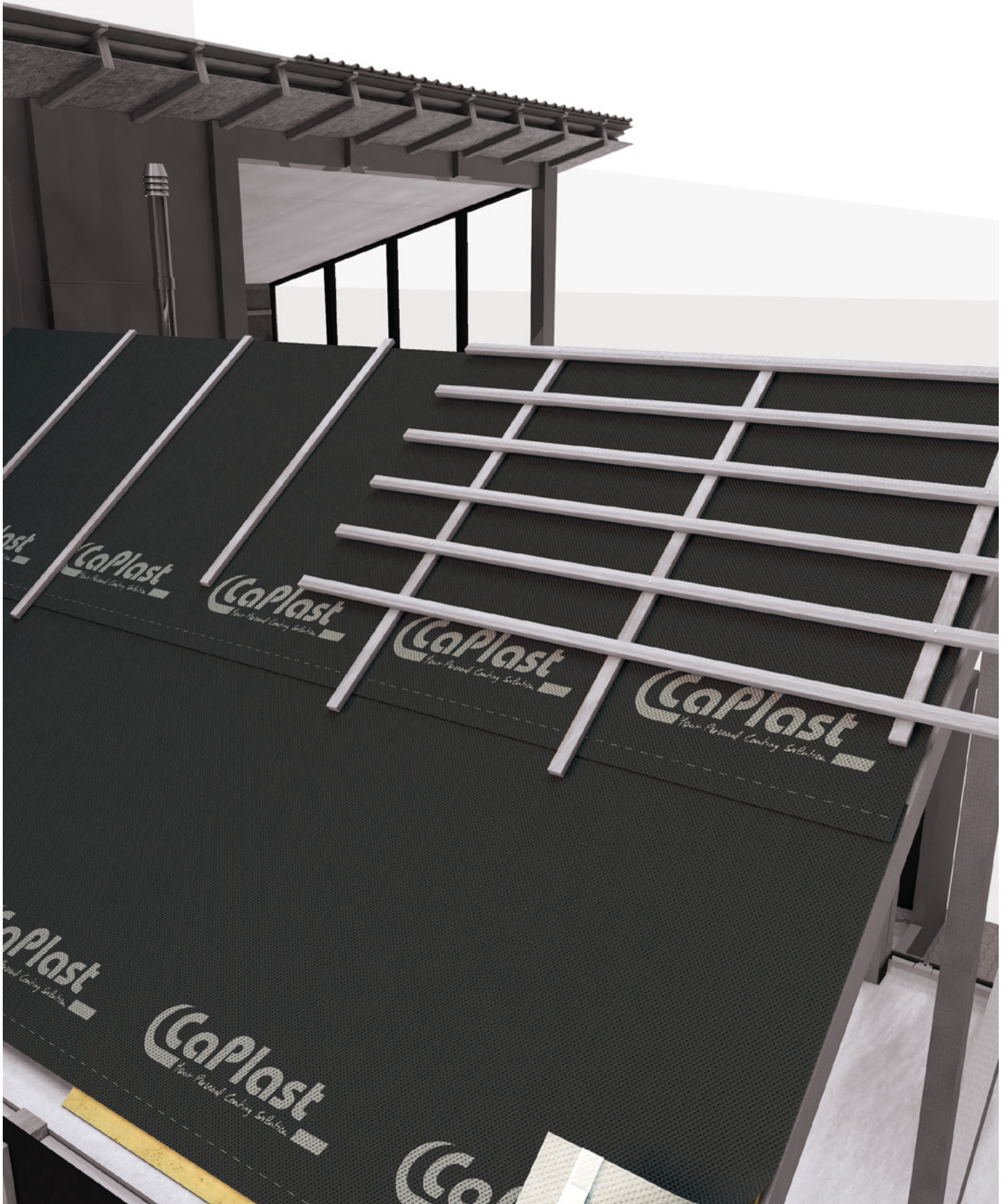
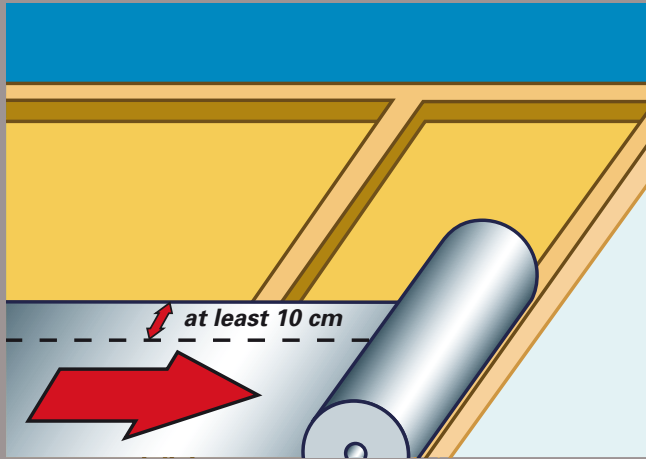


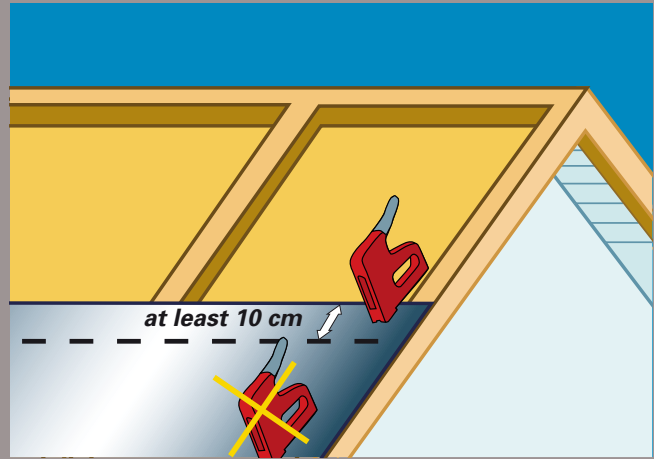
# Instructions for use CaTop sarking and underlay membranes



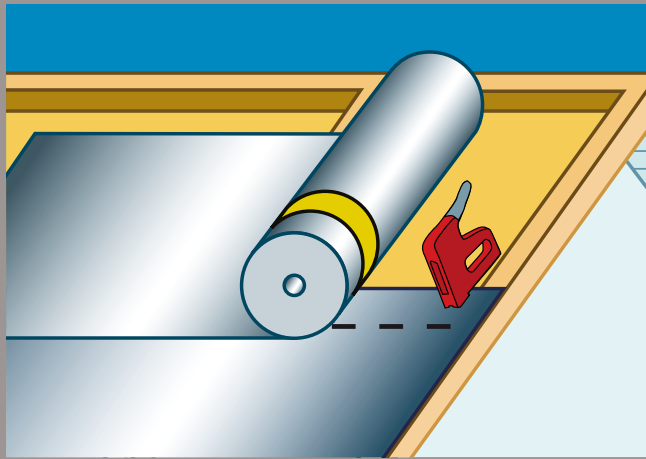
# Instructions for use CaTop sarking and underlay membranes



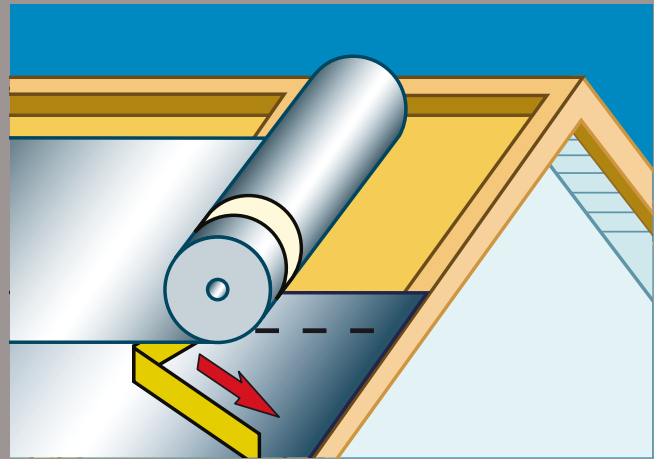
1



2



3



4

## LAYING IN THE CASE OF SARKING & UNDERLAY

The following notes refer to the laying of CaTop strips.

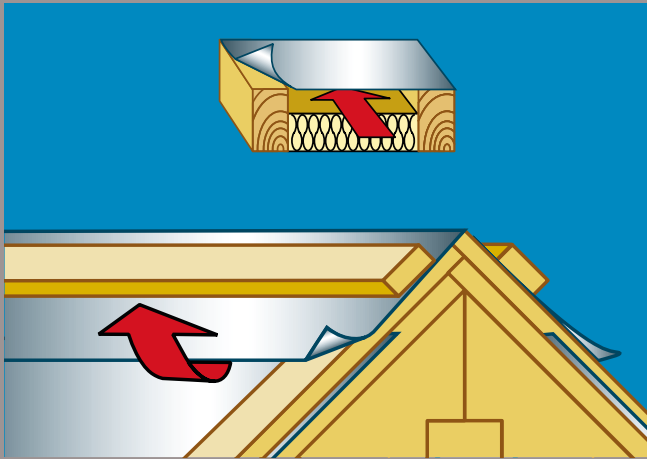
CaPlast only provides temporary roof covering when used in conjunction with CaPlast system products.

- 1 Align the strip parallel to the eaves pointing to the sub-structure. Align, roll out, cut to length, align and fix.
- 2 Fix the strip to the substrate within the overlapping area with suitable fixing material (e.g. staples, clout nails etc.) and with constant tightening, fix and mount for the final time in the overlapping area.

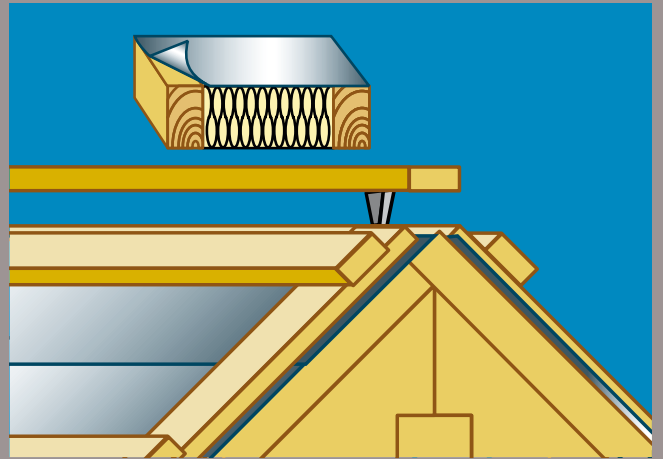
**Warning: do not fix the surface area. If you did it, make sure to seal the damaged area.**

- 3 In a scale-like fashion so that it overlaps, align the subsequent strip at least 10 cm from the mark, in the overlapping area, fix and proceed as before. (Exception: see the rain-tight roof lining). In the joint the welded overlap is sealed airtight and watertight with the help of suitable adhesive tapes e.g. CaTape UV or CaTape Uni. The adhesive tapes are arranged evenly across the seam in order to achieve the best adhesive result.
- 4 In the case of self-adhesive strips, first follow steps 1-3, then pull out the masking tape at right angles to the adhesive below the overlapping area. In this same work step, press the adhesive down onto the substrate. When sealing, the surface must be dry and free from dust.

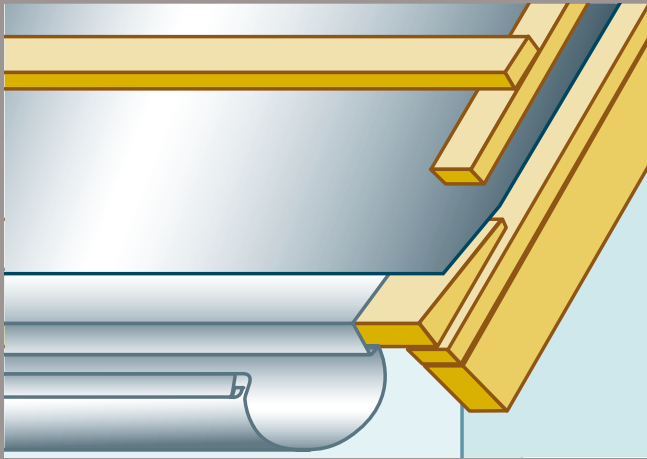
# Instructions for use CaTop sarking and underlay membranes



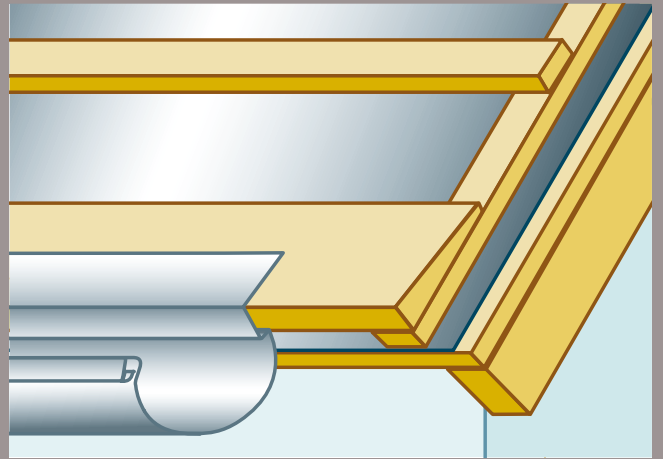
5



5.1



6



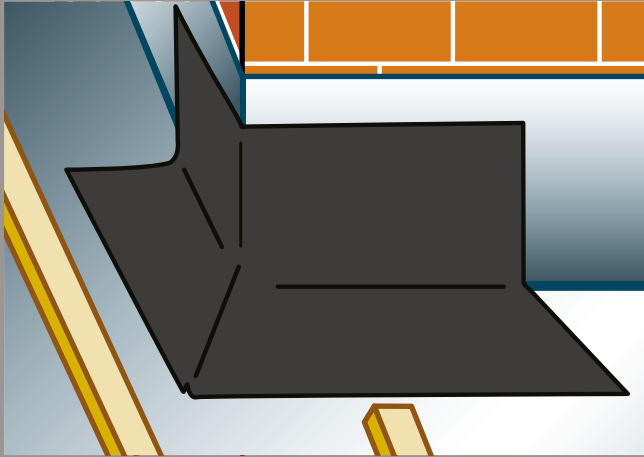
7

## DETAIL CONNECTIONS

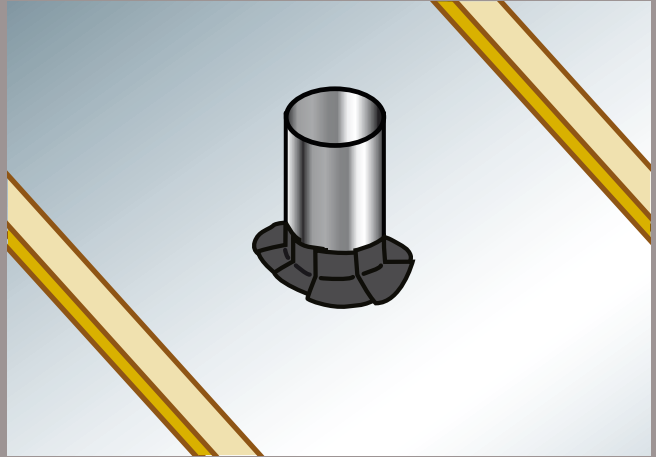
- 5 Initial solution in a rear ventilated construction (e.g. in the case of a non-insulated attic or rear-vented insulation): Design in accordance with the technical rules.
- 5.1 Initial solution in a non-rear ventilated construction for full insulation: Design in accordance with the technical rules. In the case of non-insulated attics, see point 5.
- 6 Loosening of the eaves in the case of a high hanging gutter without formwork: Design in accordance with the technical rules.
- 7 Loosening of the eaves in the case of a high hanging gutter with formwork: Design in accordance with the technical rules.

The truss is protected from rainfall through the professional laying of CaTop roofing membranes. The processing temperature may not fall below + 5° C. One must take into account that impairments and damage to the surface of the product - including those caused by chainsaws and oil or exceeding of the permitted levels of outdoor exposure - inevitably impair the level of waterproofness of the product. In order to prevent overheating and damage to the membrane, the insulation should in principle only be installed once the roofing has been completed. In renovation situations where this principle cannot be observed, suitable measures must be taken to protect the membrane at high temperatures > 30 degrees Celsius or the roofing must be applied immediately following the application of the membrane.

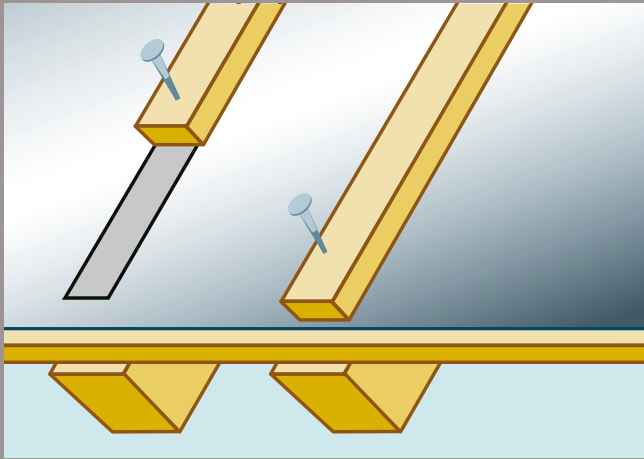
# Instructions for use CaTop sarking and underlay membranes



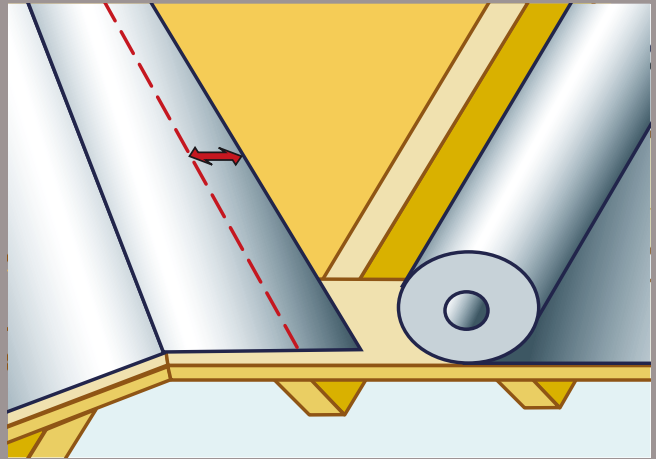
8



9



10



11

## DETAIL CONNECTIONS

- 8 Carry out connections to ascending structural elements, with CaTop Edge or CaClue adhesive and sealant between rising strips and stone work. Use CaTape UV to seal open joints.
- 9 Execute all penetrations with scale-fashion arranged CaTape UV so that they are wind- and waterproof.

- 10 In the case of temporary roof covering, use the nail sealing tape CaTape S 55. In order to ensure a waterproof roof-lining use a butyl adhesive tape. When processing always make sure that the counter batten in the nail area lies flat. For nail tightness generate sufficient downforce in the nail area.
- 11 The fluting formation should be executed with a full strip in the running direction of the fluting. The overlap should be at least min. 20 cm and is stuck down using CaTape UV.

Total rain protection against all kinds of weather influences can only be achieved when the hard roofing is completely covered. Permanent exposure of the membrane to UV radiation must be avoided, especially during roof extension work but also in any other case (installation of dormers etc.). The markings on the membrane are auxiliary measurement lines and not exact measurements.

During the processing and performance of the work, the relevant standards, technical rules, compliance with the requirements of the German Energy Saving Ordinance (EnEV) and other applicable specifications as amended must be observed. We provide all this information to the best of our knowledge and belief. A guarantee cannot be derived from this.